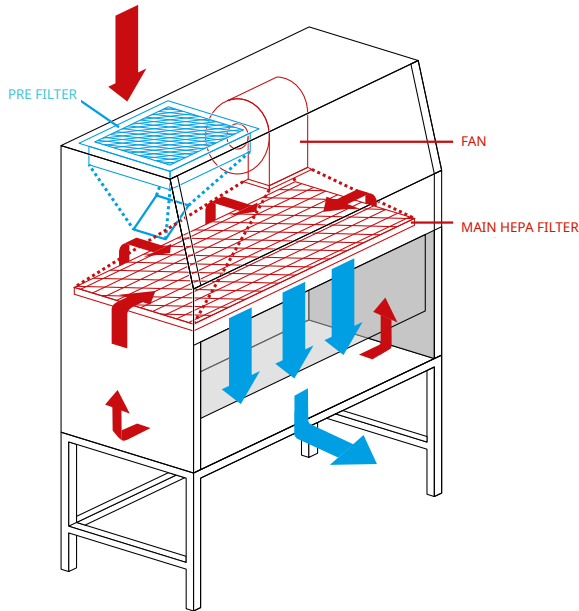


## VERTICAL LAMINAR FLOW HOODS

Functioning diagram ▼



▲ FLV09 + TH09



1 Dashboard



2 Protection screen with hydraulic cylinder and light



3 Electric plug

### PRESENTATION

Providing first class product protection, vertical laminar flow hoods are the instruments of choice when handling non-pathogenic biological samples, cell and tissue cultures in the pharmaceutical, electronics, optical and food industries. The air flow is automatically maintained at 0.40 m/s. 30% of the air is expelled from the HEPA exhaust filter and the remaining 70% of the HEPA filtered air is recycled through the slots on the sides and rear of the work chamber.

### COMPLIANCE

- European Directive 2007/47/EC on medical devices.
- European Directive 2006/95/EC on electrical equipment.
- European Directive 93/98/EC on CE marking.
- European Directive 92/31/EC and 2004/108/EC on electromagnetic compatibility.
- Standards EN 61010-1, EN 61326-1, EN 61000-6-3.

### ADVANTAGES

- Low-noise fan with high light intensity
- Smooth walls, rounded corners and no welds; allowing easy cleaning and decontamination.
- White walls for glare-free illumination
- Easy filter replacement.
- For short periods between uses, the airflow can be adjusted to medium speed, increasing filter life and reducing the time to reach clean room conditions to as little as 3 to 4 minutes.

### TECHNICAL FEATURES

- Microprocessor control system with digital display for airflow speed.
- G14 pre-filter with 85% efficiency for particles >0.5µm and H14 HEPA filter with 99.999% efficiency for particles ≥0.3µm.
- Automatic airflow compensation system to prevent filter clogging.
- Audible and visual alarm in case of airflow defect.
- Cold rolled steel sheet hood with electrostatic powder coating.
- One-piece 304 stainless steel worktop.
- 2 power sockets (2.5 A).
- Integrated low voltage lighting and > 800 lux - 30W.
- Noise level below 60 dB(A).
- Power supply: 230 V, 50 Hz.
- Power consumption: 760 W.
- Motor flow rate: 2.150 m3/h.

### OPTIONS

- Spare HEPA filter
- Spare pre-filter
- Front wall with integrated UV lamp (FLV09: Length 45 cm, power 15W and wavelength 254 nm - FLV12: Length 90 cm, power 30W and wavelength 254 nm)
- Tubular table TH09 and/or TH12 - Gas tap - Vacuum tap

P/N	FLV09	FLV12
External dimensions (H x W x D) mm	1345 x 1060 x 795	1345 x 1360 x 795
Internal dimensions (H x W x D) mm	620 x 890 x 630	620 x 1195 x 630
External dimensions Opening dimensions (H x W) mm	200 x 888	200 x 1190
Work surface dimensions (W x D) mm	885 x 630	1190 x 630
Shipping dimensions (H x W x D) mm	1500 x 1150 x 850	1500 x 1450 x 850
Net weight (kg)	165	185
Gross weight (kg)	190	218