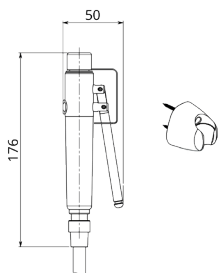


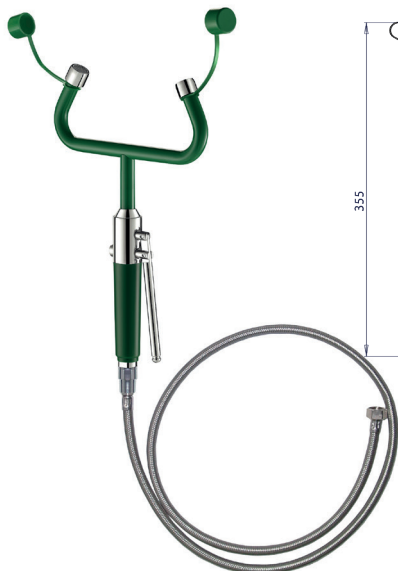
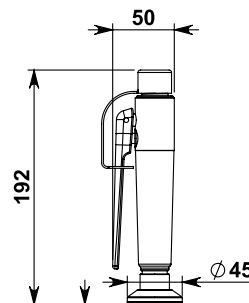
# OCULAR SHOWER



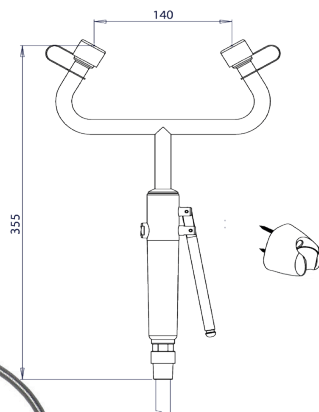
▲ DS04



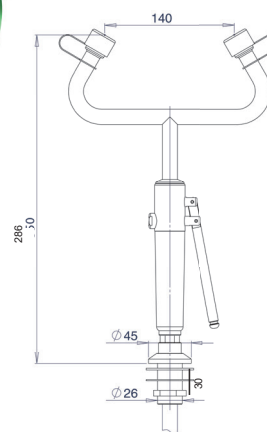
▲ DS54



▲ LV04



▲ LV54



| P/N  | Use    | Operating      | Mounting                             | Flexible (m) | Supply | Flow (L/mn) | Weight (kg) | EN 15154-2 |
|------|--------|----------------|--------------------------------------|--------------|--------|-------------|-------------|------------|
|      |        |                |                                      |              |        | Eye-washer  |             |            |
| DS04 | Indoor | Hand operating | Wall mounted (wall bracket supplied) | 1,5          | M1/2"  | 16          | 1           | oui        |
| DS54 | Indoor | Hand operating | Deck mounted                         | 1,5          | M1/2"  | 16          | 1           | oui        |
| LV04 | Indoor | Hand operating | Wall mounted (wall bracket supplied) | 1,5          | M1/2"  | 15          | 1,5         | oui        |
| LV54 | Indoor | Hand operating | Deck mounted                         | 1,5          | M1/2"  | 15          | 1           | oui        |

© ECOSAFE reserves the right to discontinue or change specifications or designs at any time without notice and without incurring obligations. 09/2021

Fume hoods, filtering cabinets - Ventilation

Lithium-ion cabinets

Flammable cabinets

Corrosive cabinets

Toxic cabinets and Multirisk

Containment and cans

File cabinets  
Anti-fire equipments

Showers and first-aid equipments