



Fume hoods, filtering cabinets - Ventilation

Lithium-ion cabinets

Flammable cabinets

Corrosive cabinets

Toxic cabinets and Multirisk

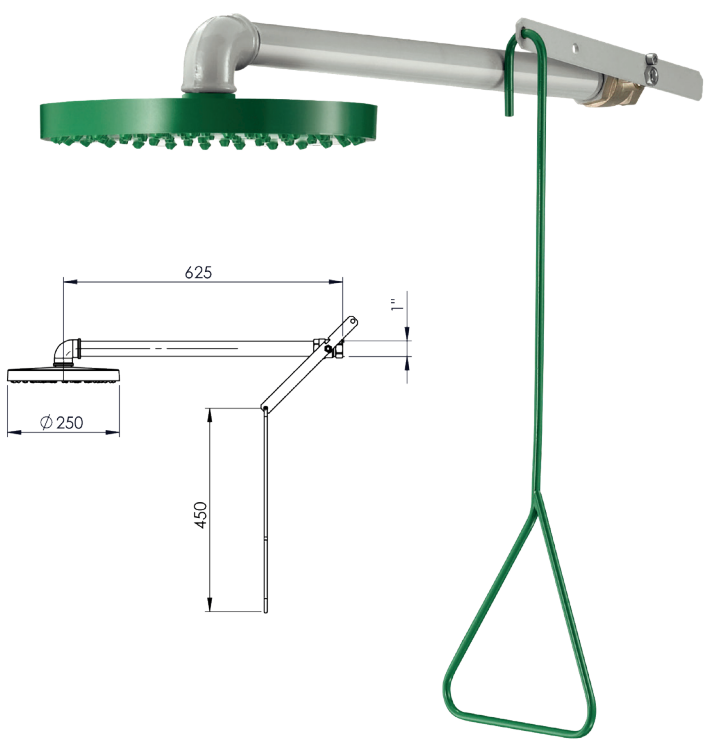
Containment and cans

File cabinets

Anti-fire equipments

Showers and first-aid equipments

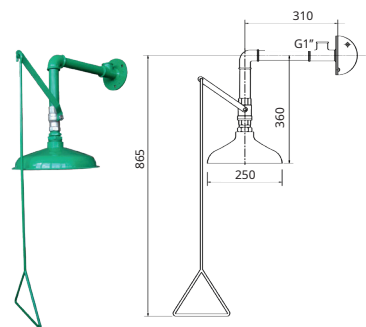
WALL AND FLOOR MOUNTED SAFETY SHOWERS



▲ DS24



▲ DS23



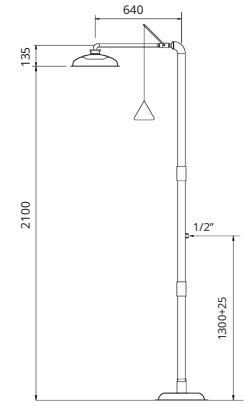
▲ DS13



▲ DS32



▲ DS33



P/N	Use	Operating	Moun-ting	Shower head	Piping	Supply	Flow (L/mn)		Weight (kg)	EN 15154-1	NFX15-221
							Eye-washer	Shower			
DS13	Indoor	Hand operating	Wall mounted	Green ABS RAL 6029	Galvanized steel + green epoxy paint RAL 6029	F1"		75	5	oui	oui
DS24	Indoor	Hand operating	Wall mounted	Green ABS RAL 6032	Galvanized steel + grey epoxy paint RAL 7040	F1"		90	4	oui	oui
DS23	Indoor	Hand operating	Wall mounted	Green ABS RAL 6029	Galvanized steel + green epoxy paint RAL 6029	F1"		75	4,4	oui	oui
DS32	Indoor	Hand operating	Pedestal mounted	Stainless steel	Stainless steel	F1"		75	15	oui	oui
DS33	Indoor	Hand operating	Pedestal mounted	Green ABS RAL 6029	Galvanized steel + green epoxy paint RAL 6029	F1"		75	14	oui	oui

© ECOSAFE reserves the right to discontinue or change specifications or designs at any time without notice and without incurring obligations. 09/2021