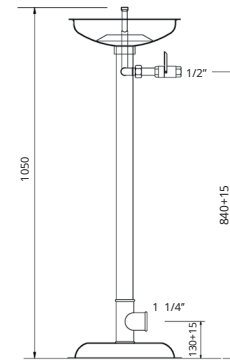
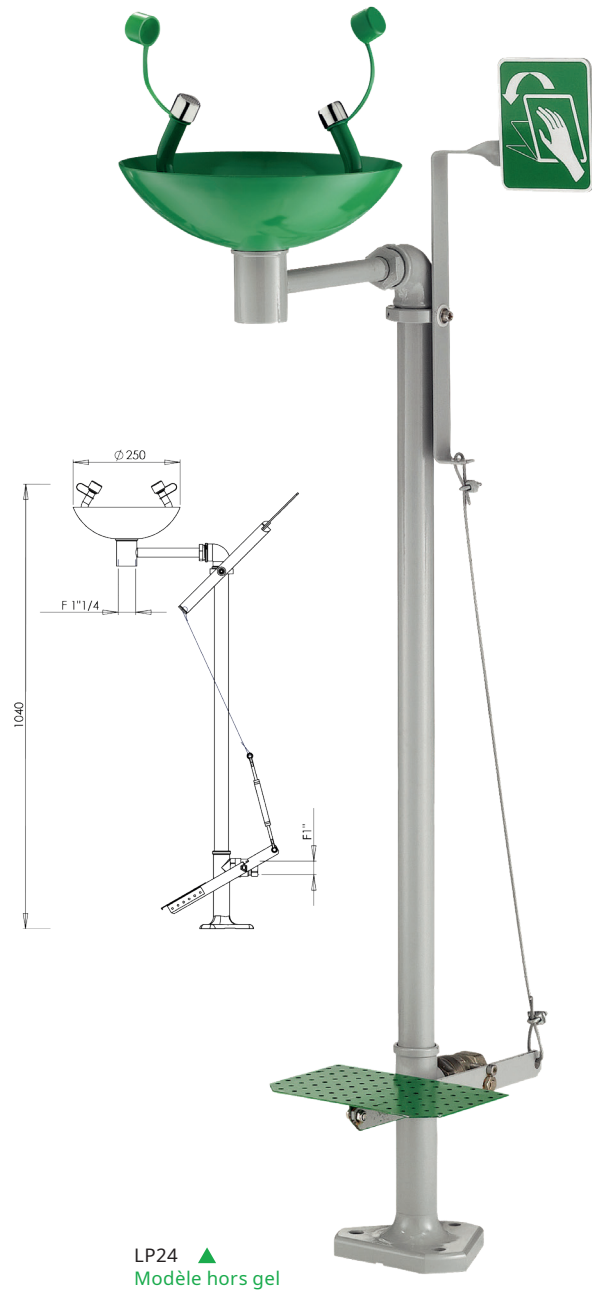
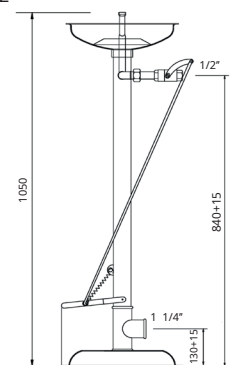


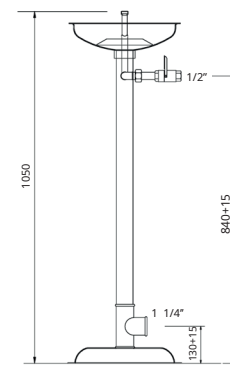
FREE-STANDING SAFETY EYEWASH



▲ LV22



▲ LP22



▲ LV23

P/N	Use	Operating	Moun-ting	Bowl	Piping	Supply	Draining	Flow (L/mm eye-washer)	Weight (kg)	EN 15154-2
LP24	Indoor and outdoor ⁽¹⁾ 	Hand and foot operating	Pedestal mounted	Stainless steel bowl + green epoxy paint RAL 6032	Galvanized steel + grey epoxy paint RAL 7040	F 1"	F 1 1/4"	15	8	oui
LV22	Indoor	Hand operating	Pedestal mounted	Stainless steel	Stainless steel	F 1/2"	F 1 1/4"	11,5	10	oui
LP22	Indoor	Foot operating	Pedestal mounted	Stainless steel	Stainless steel	F 1/2"	F 1 1/4"	11,5	11	oui
LV23	Indoor	Hand operating	Pedestal mounted	Green ABS RAL 6029	Galvanized steel + green epoxy paint RAL 6029	F 1/2"	F 1 1/4"	11,5	10	oui

⁽¹⁾Kit câble chauffant recommandé