



**EN**  
15154-2

## WALL-MOUNTED SAFETY EYEWASH

Fume hoods, filtering cabinets - Ventilation

Lithium-ion cabinets

Flammable cabinets

Corrosive cabinets

Toxic cabinets and Multirisk

Containment and cans

File cabinets Anti-fire equipments

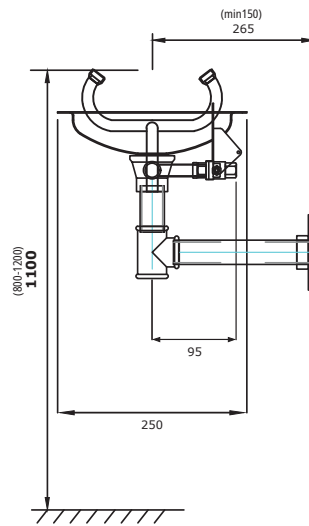
Showers and first-aid equipments



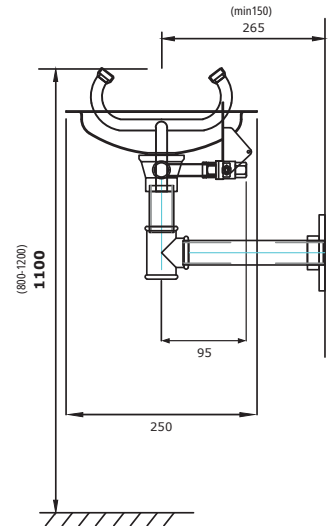
▲ LV14



▲ LV13



▲ LV12



| P/N  | Use    | Operating      | Moun-ting    | Bowl  | Piping  | Supply | Draining | Flow (L/mm) eye-washer | Weight (kg) | EN 15154-2 |
|------|--------|----------------|--------------|---|---|--------|----------|------------------------|-------------|------------|
| LV14 | Indoor | Hand operating | Wall mounted | Stainless steel bowl + green epoxy RAL 6032 | Galvanized steel + grey epoxy paint RAL 7040  | M 1/2" | F 1 1/4" | 15                     | 3,2         | oui        |
| LV13 | Indoor | Hand operating | Wall mounted | Green ABS RAL 6029                          | Galvanized steel + green epoxy paint RAL 6029 | F 1/2" | F 1 1/4" | 11,5                   | 5,1         | oui        |
| LV12 | Indoor | Hand operating | Wall mounted | Stainless steel                             | Stainless steel                               | F 1/2" | F 1 1/4" | 11,5                   | 5,8         | oui        |

© ECOSAFE reserves the right to discontinue or change specifications or designs at any time without notice and without incurring obligations. 09/2021